

# Automated Precision Incubators

# Star Series

Climate / Application

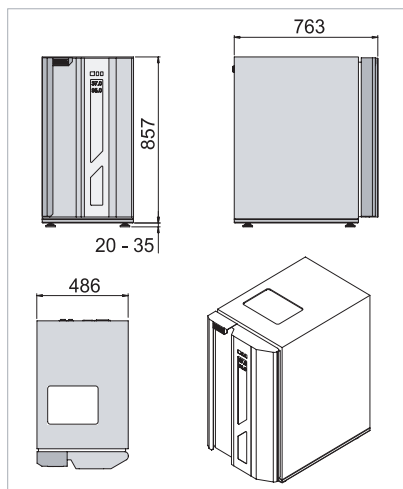
	STR44	STR240	STR602
 <p><b>STR 44</b></p> <p><b>Capacity</b> <b>44</b> Microtiter Plates</p> <p>The STR44 is the smallest member of the STR family. The STR44 has the same width and depth as the STX40. Its 44 MTP capacity make it perfectly suitable of small-scale integration, highly miniaturized applications or short time incubation assays.</p>	 <p><b>STR 240</b></p> <p><b>Capacity</b> <b>240</b> Microtiter Plates</p> <p>The STR240 will hold up to 240 MTP with 23 mm pitch. It's ideal for multiple cassette/sample configurations. The unit sits entirely under the workstation or liquid handler deck. Multiple transfer-station can be used to increase production and throughput.</p>	 <p><b>STR 602</b></p> <p><b>Capacity</b> <b>672</b> Microtiter Plates</p> <p>This unit was originally designed for high throughput protein crystallization. By minimizing the vibrations using the Star concept it allows maximum capacity and configuration. The delivery gate can be on the rear right/left or in rear center.</p>	
	<p>IC Incubator 33 .. 50°C (70°C) max 95 % RH</p> <p>DC2 <sup>1)3)</sup> Dry Storage 04 .. 25°C 04 .. 50 % RH</p> <p>HC <sup>1)</sup> Humid Cooler 04 .. 25°C max 90 % RH</p> <p>HR <sup>1)</sup> Humid Wide Range 04 .. 50°C (70°C) 90 .. 95 % RH</p> <p>AR <sup>1)2)</sup> Humidity Controlled 04 .. 50°C 10 .. 95 % RH</p> <p>DR <sup>1)3)</sup> Dry Wide Range 04 .. 50°C 02 .. 50 % RH</p> <p>DF <sup>1)4)</sup> Deep Freezer -20 .. 0°C 02 .. 45 % RH</p>		

1) Humidity depends on temperature setting 2) Humidity Adjustable 3) Adjustable dehumidification 4) up to +20°C on request

www.liconic.com  
 Europe: Liconic AG, Liechtenstein  
 Liconic UK Ltd, Manchester  
 US & International: Liconic Inc, Woburn MA

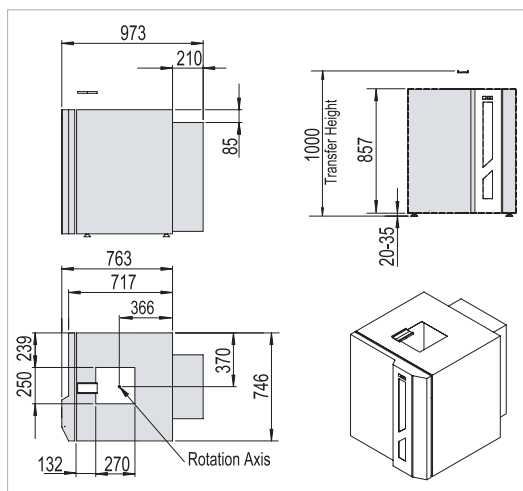
Star Series

## STR 44



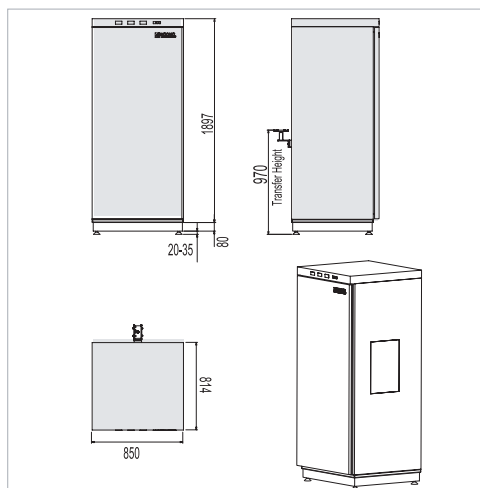
Capacity		
Plate Type	Plate Height	Plate capacity of unit
NTP (Nanotiter Plates)	5 mm	84
	11 mm	56
1536	12 mm	54
	17 mm	44
	22 mm	34
	23 mm	34
	24 mm	34
MTP (Microtiter Plates)	27 mm	30
	44 mm	20
	53 mm	16
DiTi200	66 mm	14
DiTi1000	104 mm	8

## STR 240



Capacity		
Plate Type	Plate Height	Plate capacity of unit
NTP (Nanotiter Plates)	5 mm	462
	11 mm	308
1536	12 mm	297
	17 mm	240
MTP (Microtiter Plates)	22 mm	187
	23 mm	187
	24 mm	187
	27 mm	165
	44 mm	110
DWP (Deep Well Plates)	53 mm	88
	66 mm	77
DiTi200	66 mm	77
DiTi1000	104 mm	44

## STR 602



Capacity		
Plate Type	Plate Height	Plate capacity of unit
NTP (Nanotiter Plates)	5 mm	1100
	11 mm	740
1536	12 mm	700
	17 mm	560
MTP (Microtiter Plates)	22 mm	460
	23 mm	440
	24 mm	420
	27 mm	380
	44 mm	240
DWP (Deep Well Plates)	53 mm	200
	66 mm	160
DiTi200	66 mm	160
DiTi1000	104 mm	100