



-20°C  
+70°C

# STX220

Automated  
Incubator

- More Integration Flexibility
- 16-Bit Digital Climate Control



**StoreX**  
Series

# STX220

## Stable and Precise Climate Conditions

The STX220 with 220 MTP capacity and implemented Flush Gate. The newly developed handling with higher speeds. This unit can be stacked one on top of the other to give high throughput results.

The Flush Gate simplifies integration by omitting any obstacle in the Gate area.

### Climate Options

Type	Temperature	Humidity	Description	Order Nr. Stand Alone	Order Nr. Bench Top
STX220-IC	6) 33..50°C 5) 33..70°C	7) max. 95% 70..95%	Incubator	9122 05 10	9123 05 10
STX220-HC	1) 04..25°C	max. 90%	Humid Cooler	9122 05 11	9123 05 11
STX220-DC2	1) 3) 04..25°C	04..50%	Dry Storage	9123 05 07	9123 05 08
STX220-HR	1) 04..50°C 5) 04..70°C	7) 85..95% 70..95%	Humid Wide Range	9122 05 12	9123 05 12
STX220-DR2	1) 3) 04..50°C 04..70°C	02..50%	Dry Wide Range	9122 05 05	9122 05 22
STX220-AR	1) 2) 04..50°C 04..70°C	15..95%	Humidity Controlled	9122 05 21	9123 05 19
STX220-DF	1) 4) -20..0°C	02..45%	Deep Freezer	9122 05 27	9122 05 31
STX220-NC	-	-	No Climate	9123 05 14	9123 05 15
STX220-DH	5) 04..50°C 04..70°C	2..30% 70..95%	Dry Humid	9122 20 82	9122 20 83

1) Humidity depends on temperature setting

2) Humidity Adjustable

3) Adjustable dehumidification

4) up to +20°C on request

5) High Temp Option

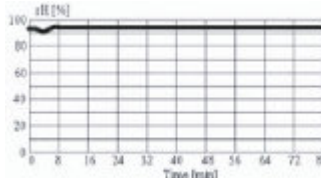
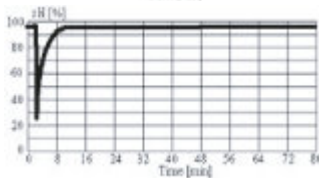
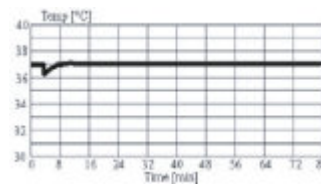
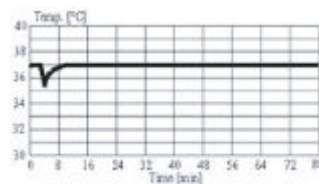
6) No active cooling. Min temperature is Ambient 8°C

7) Steam Generator Option

### Access

Through the full-sized user door

Through the small robotic gate

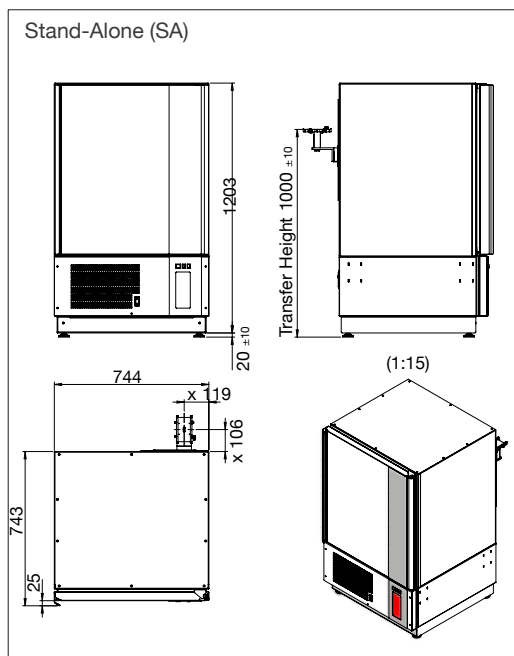
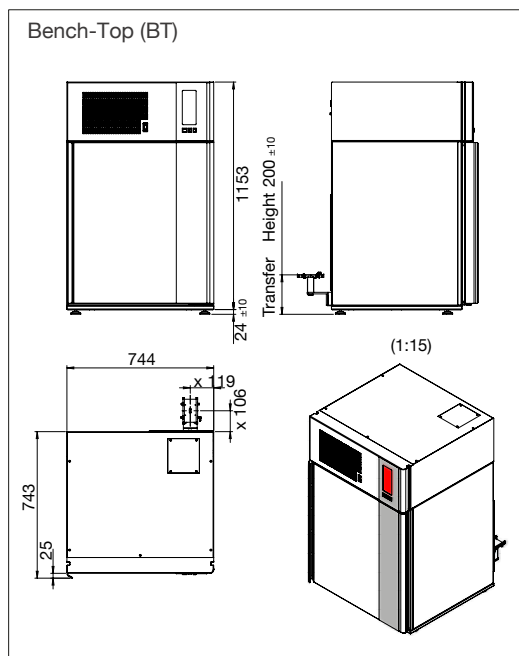


### Options

	Order Nr.	Gassing Option	Order Nr.
High temperature 70°C capability	9122 06 02	Fast CO2	9118 11 12
Bar Code Reader Option	9118 11 03	Fast N2	9118 11 13
Plate Presence Sensor	9121 00 62	Fast O2	9118 11 14
Plate overweight feature 60-160mm	9122 06 82	Additional CO2	9118 11 07
iMotion access speeds for critical applications	9118 35 71	Additional N2	9118 11 11
N-Way Decontamination	9122 05 28	Additional O2	9118 11 08
Liconel self decontaminating incubator chamber	9122 05 25		
Easy Clean option	9122 05 14		
Linear Shaker, Amplitude 1-100 mm, 12-300 rpm	9122 05 15		
Steam Injection	9118 11 16		
Plate overweight kit 300-800g	9118 13 83		

Like all members of the StoreX family the STX 220 can be equipped with various types of further options and a wide selection of useful accessories.

### Dimensions



### Capacity

Plate Type	Plate Height	Plate capacity of unit
NTP	5 mm	420
	11 mm	280
1536	12 mm	270
	17 mm	220
MTP	22 mm	170
	23 mm	170
	24 mm	170
DWP	27 mm	150
	44 mm	100
DiTi200	53 mm	80
	66 mm	70
DiTi1000	104 mm	40

\*Overheight kit required for plate height > 60mm.

### Integration:

The STX220 instruments are available for integration with the instrument placed on the table surface (BenchTop BT) or for integration with the instrument standing on the floor (StandAlone SA).

Like all members of the StoreX family the STX220 can be equipped with various types of further options and a wide selection of useful accessories.



www.liconic.com

Europe & International: LiCONiC AG, Liechtenstein

UK & Nordic: LiCONiC UK Ltd, Manchester

US & Asia: LiCONiC Inc, North Reading, MA

© LiCONiC AG, 10.2024

Information within this document is subject to be changed without prior notice.

Specification values without tolerances assume a +/- 10% tolerance.

For details please contact our applications. sales@liconic.com