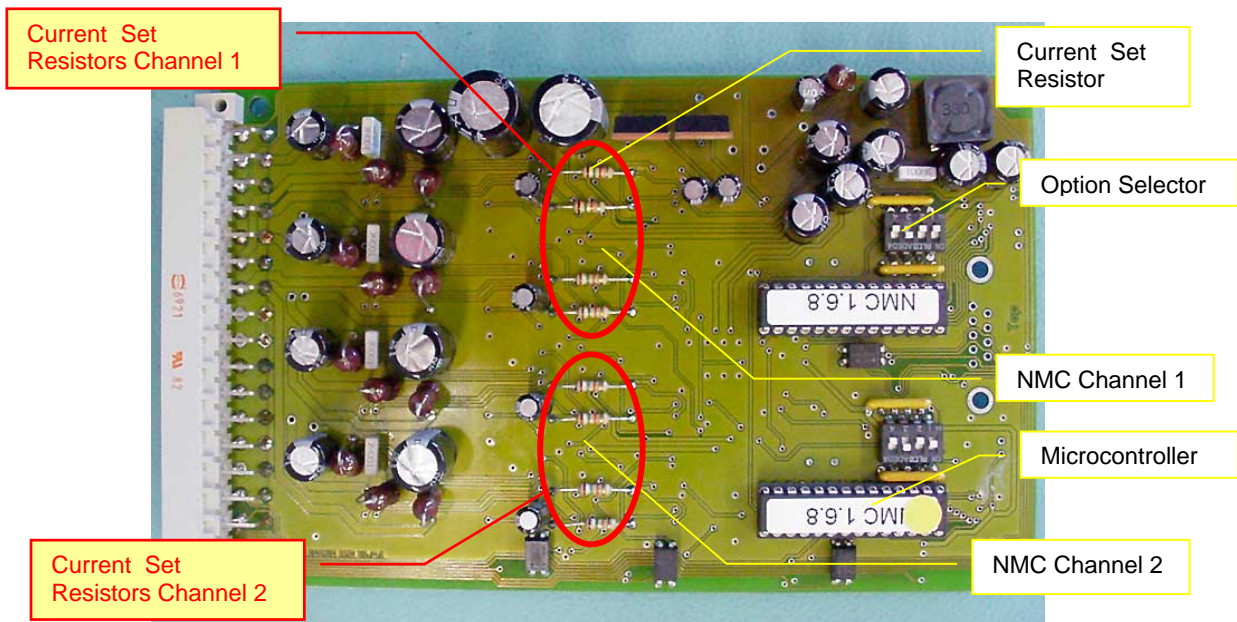


Title:	NMC Motor Card			ID:
				0031
Date in:	Response:	Model:	Author:	
2007-07-16	2007-07-16	-	CMA	

NMC Motor Card

The NMC Motor Card supports two bipolar stepper motors. The NMC motor card is specially designed for handling applications in climate controlled instruments.



The motor current is set by four resistors per axis. Resistor values must be identical within one axis.

Resistor Value	Peak Motor Current
10kR	1.4A
15kR	2.1A
22kR	3.2A