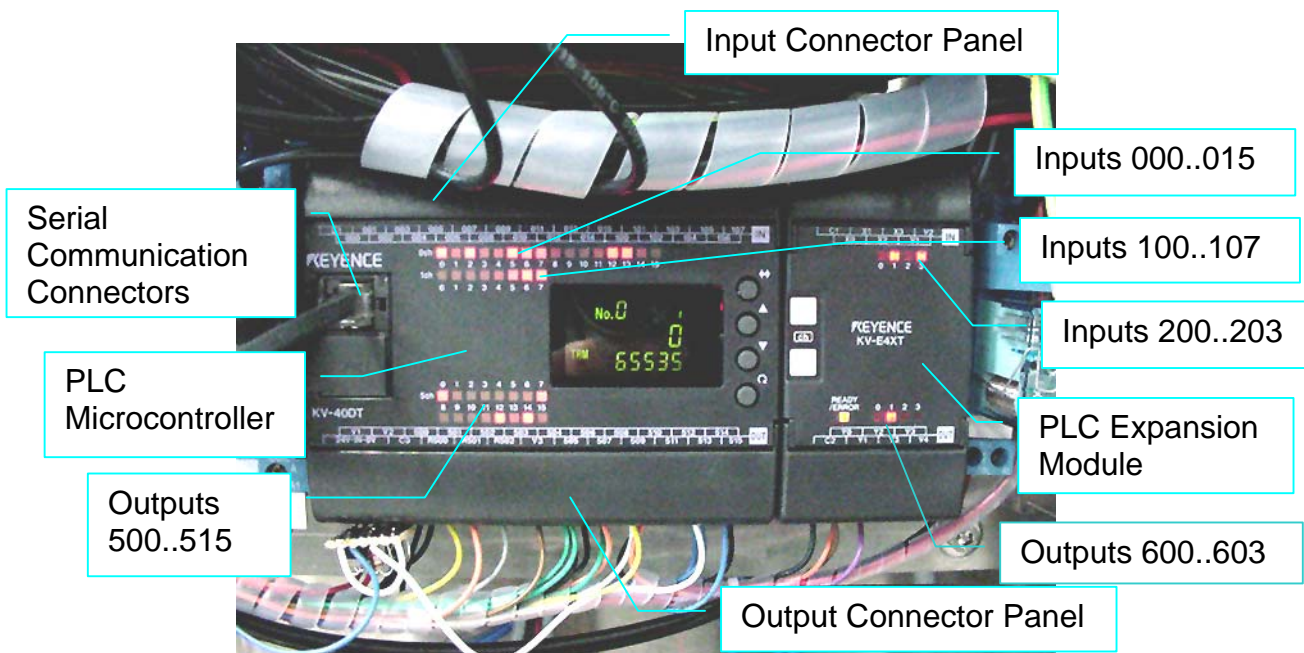


Title:	PLC I/O Locations			ID:
				0170
Date in:	Response:	Model:	Author:	
2004-10-11	2004-10-11	-	CMA	

PLC I/O Locations

Input and Output Connector panels are screw type connectors. Inputs and outputs are located on the PLC Micro controller and the Expansion Module both located on the Electronics Module.

Each input and/or output has a LED assigned which shows the status of its input resp. output. Inputs and outputs are ground active. An active input resp. output is 0 volt or connection to the ground (0V).



Inputs are numbered as banks 000..400. Each bank has 16 (0..15) maximum. The inputs are located on the top end of the PLC Micro controller. Outputs are numbered 500..900 in banks of max. 16 outputs per bank. The outputs are located on the bottom end of the PLC Micro controller.